

Kitchen Cabinets (base)

ASSEMBLY INSTRUCTIONS

B09-B42, B09 Pullout

PARTS LIST:

A – Faceframe with door (1 piece)
 B – Side Panel (2 pieces)
 C – Bottom (1 piece)
 D – Toe Kick (1 piece)
 E – Back Panel (1 piece)

F – Shelf (3 pieces)
 H – Hardware Box (1):
 cam locks
 metal screw dowels
 wooden dowels
 shelf clips
 back screws.

I – Drawer Parts (varies per model)

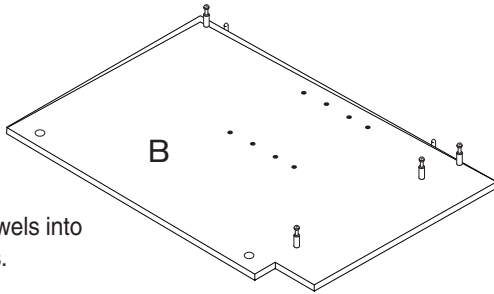
A - front
 B - Sides/Slides
 C - Bottom
 D - Back
 E - Drawer Sides
 Six 4x13 screws

TOOL LIST:

Phillips screwdriver
 (or Cordless drill with
 phillip tip, optional)

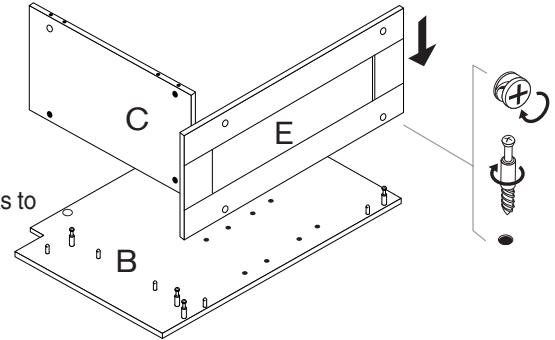
(1)

Place panel **B** on a flat, clean surface. Insert camlocks and dowels into appropriate holes.



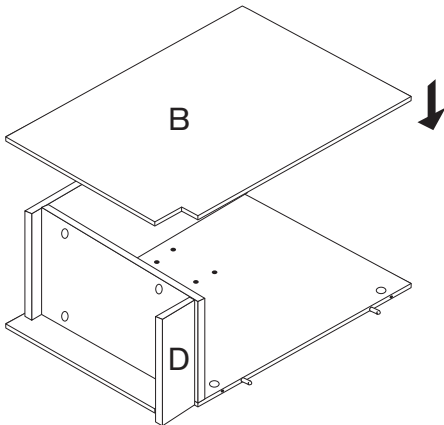
(2)

Install panels **C** and **E** panel and turn camlocks to secure.



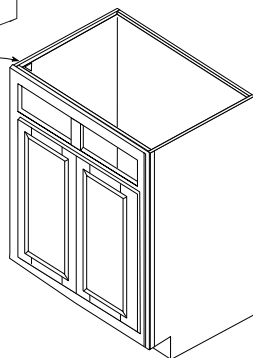
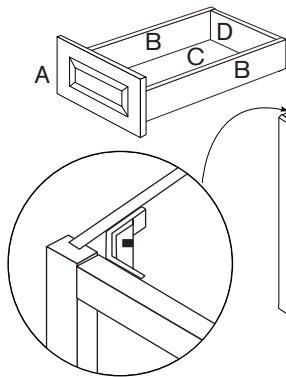
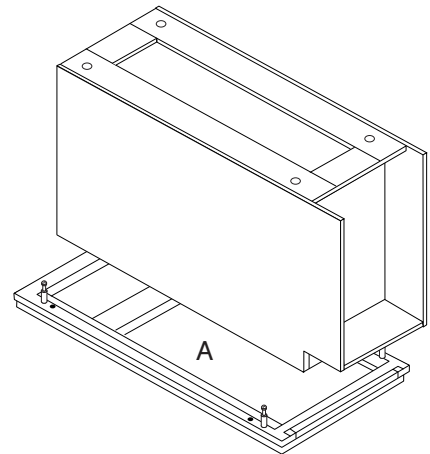
(3)

Place second panel **B** and panel **D** onto structure and turn camlocks to secure.

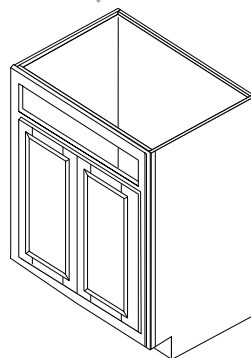


(4)

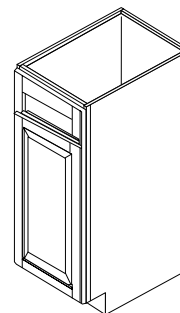
Nearly completed cabinet can now be mated to panel **A**.



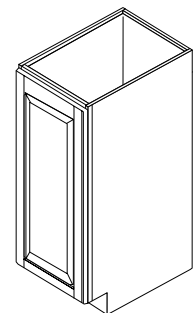
B33-B42



B24-B30



B09-B21



B09-Pullout

TIPS: Don't rush the assembly, get it right the first time. Test fit first before locking anything down. Don't over tighten the cam locks and only use a screw driver on them, since a cordless drill could have too much torque and break the cam.